



9.04 Pouring Platforms

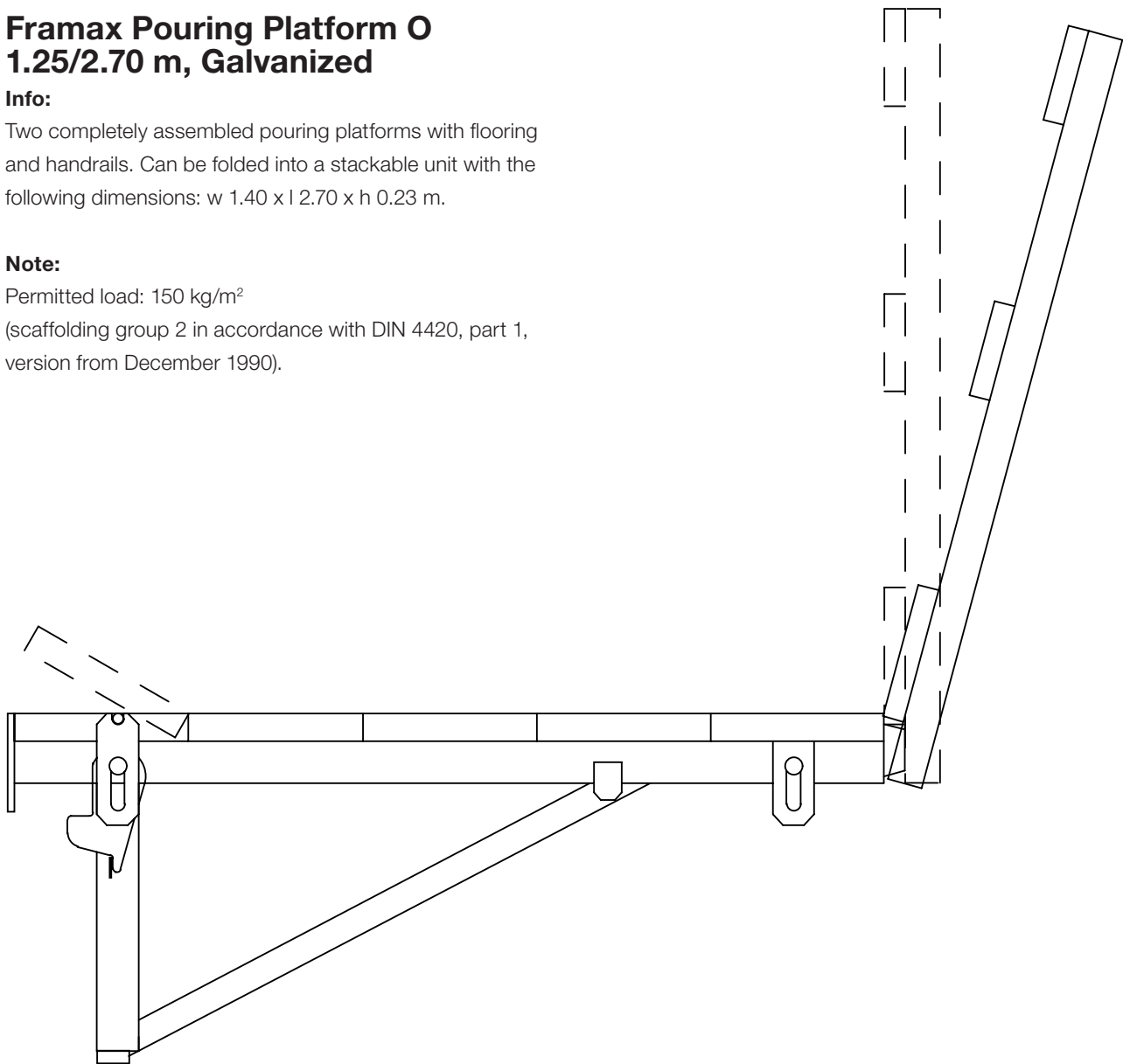
### Framax Pouring Platform O 1.25/2.70 m, Galvanized

**Info:**

Two completely assembled pouring platforms with flooring and handrails. Can be folded into a stackable unit with the following dimensions: w 1.40 x l 2.70 x h 0.23 m.

**Note:**

Permitted load: 150 kg/m<sup>2</sup>  
(scaffolding group 2 in accordance with DIN 4420, part 1, version from December 1990).



Description	h <sub>1</sub>	h <sub>2</sub>	w	Remark	kg	Equi. No.	Art. No. Man.
Framax Pouring Platform O 1.25/2.70, Galv.	1.012	0.480	1.250		117.00	90234	588360

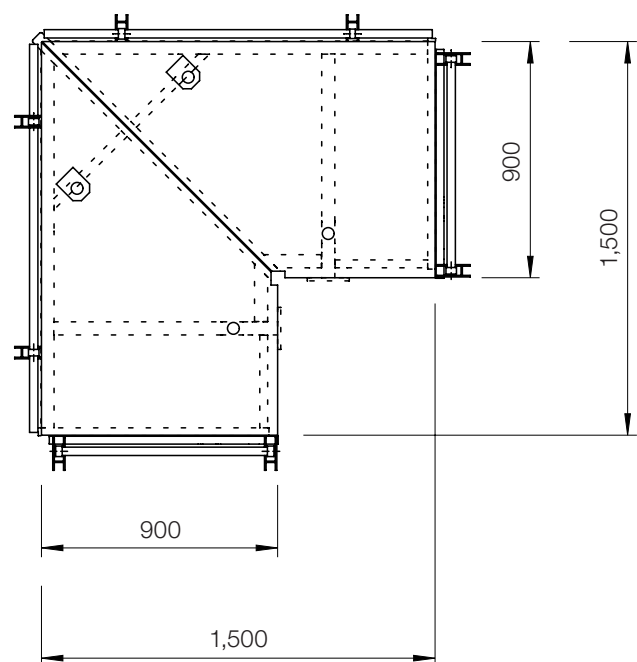
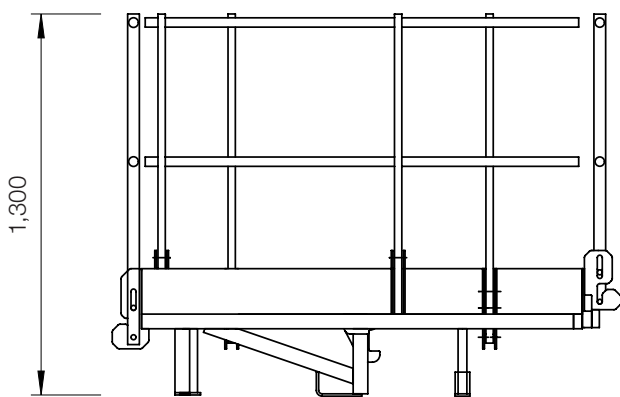
## Column Formwork Platform 1.50/0.90 m

**Info:**

Preassembled ready-to-use platform that can be quickly deployed for all column formwork of the Framax and Alu Framax frame formwork range of products. It can be directly hung onto Framax and Alu Universal Elements and with the Alu Framax SI platform adapter on Alu Framax SI column elements.

**Note:**

Permitted load: = 150 kN/m<sup>2</sup>.  
(scaffolding group d in accordance with DIN 4420, part 1, version from December 1990).



Description	l <sub>1</sub>	w	l <sub>2</sub>	Remark	kg	Equi. No.	Art. No. Man.
Column Formwork Platform 1.50/0.90	1.300	0.900	1.500		211.80	93530	588382